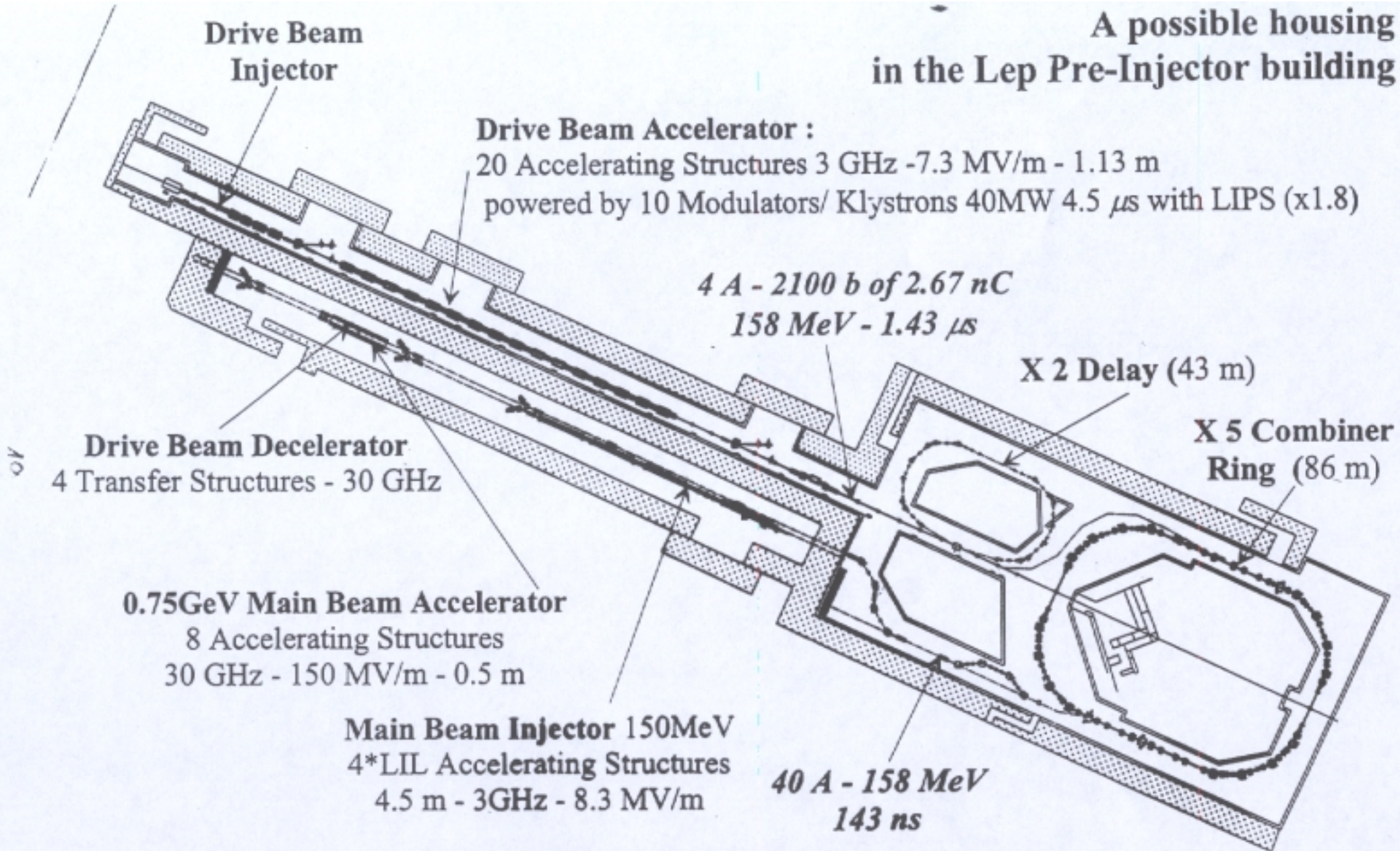
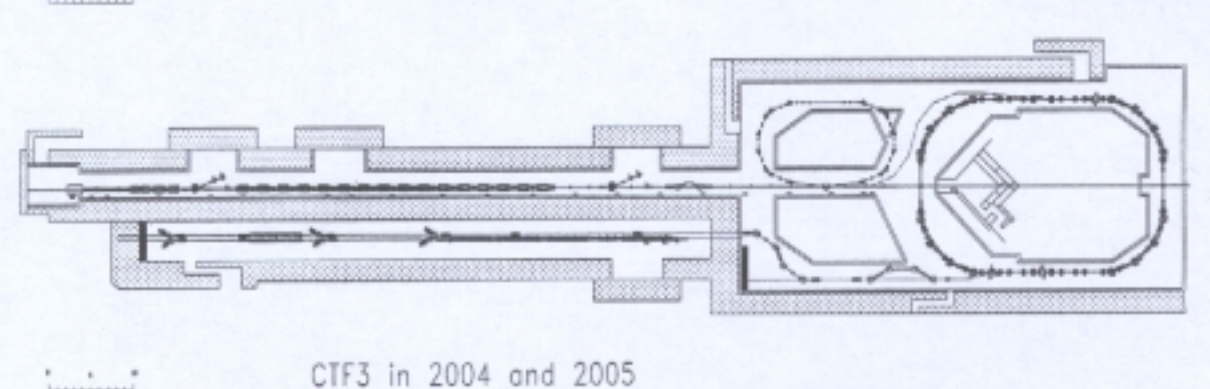
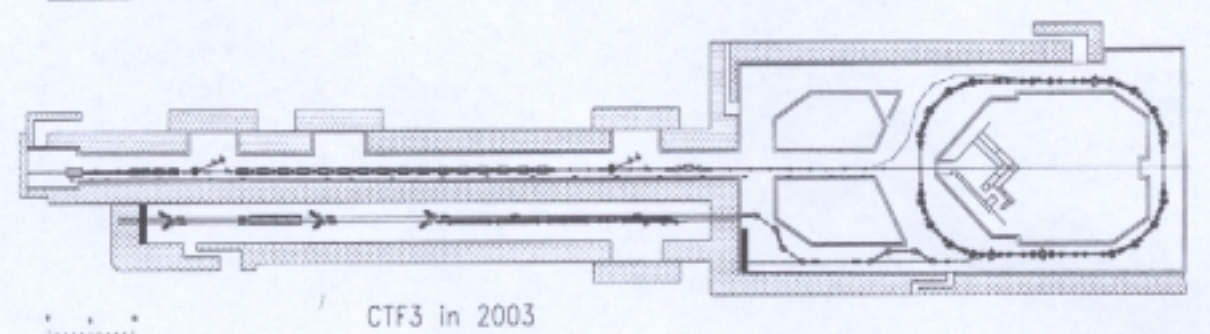
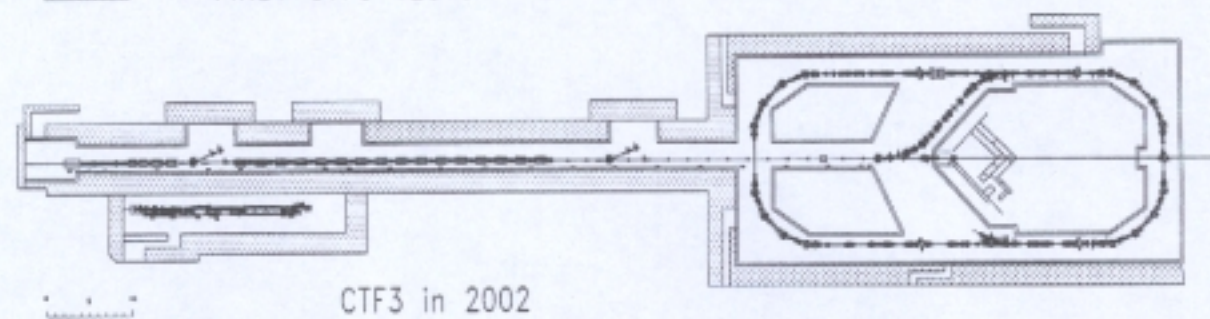
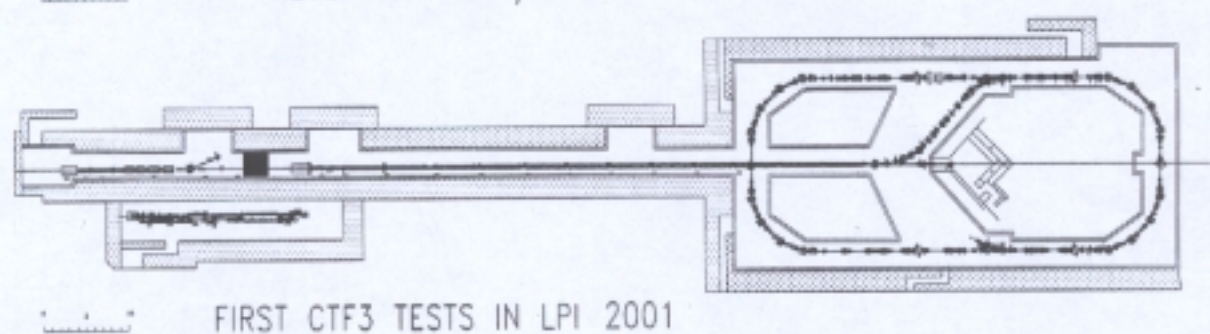
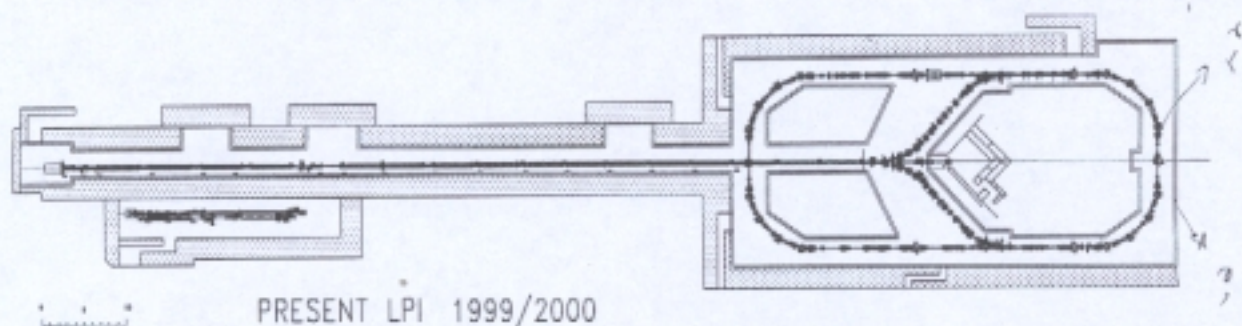


**A possible housing  
in the Lep Pre-Injector building**



**CLIC TEST FACILITY - CTF 3 - Nominal**

**Test of the Drive Beam Generation, Acceleration & RF Multiplication by a factor 10**



From LPI to CTF3

Extension 2013

1/

4 variantes à différencier

1° Couloir entre 2013 et 2003 larg. 1,80m

2° Couloir entre 2013 et 2003 larg. 3,60m

3° Couloir entre 2013 et 2003 larg. 5,40m

4° Extension du 2003.

no Etude variante 3 variation pour 1 et 2 ensuite

larg. env. 4,80m

Concept.

Ech. 1/50

charge 1t/m<sup>2</sup>