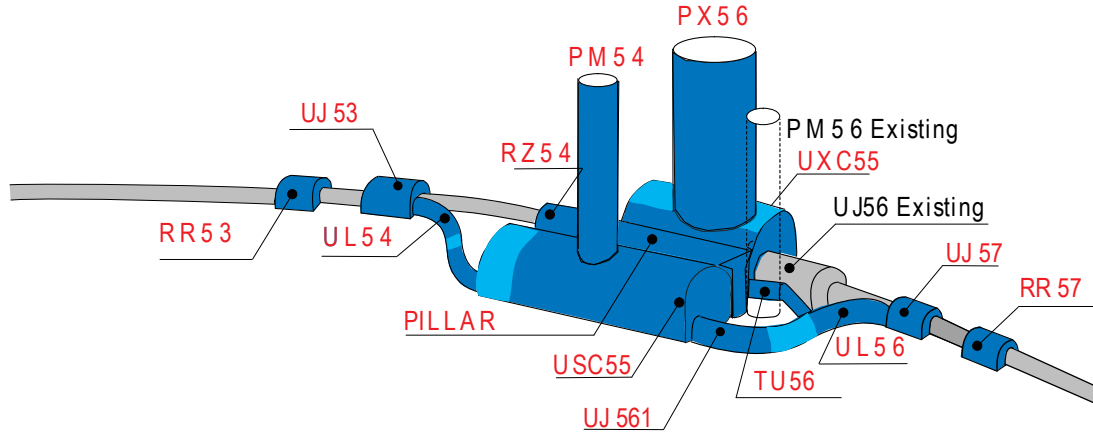


POINT 5 - Status



- Existing Structures
- LHC Project Structures
- LHC Excavated Structures
- LHC Completed Structures (CE)
- LHC Completed Structures (CV, EL, HM, MA)

IN PROGRESS	%	FINISH DATE	FUTURE WORKS	START DATE	FINISH DATE
<u>UXC Cavern</u>		July 04			
Invert Concreting phase II	100	Oct. 03			
Wall concreting	55	Apr. 04			
<u>USC Cavern</u>		Mar. 04			
Wall Concreting	100	Sep. 03			
Roof Concreting	100	Oct. 03			
US 54 sub-cavern	30	Feb. 04			
<u>UPS Survey galleries</u>	95	Jul. 04			
<u>RZ54 Cavern</u>	50	Mar. 04			
<u>UJ53 Cavern</u>	95	Mar. 04			
<u>UJ57 Cavern</u>	80	Mar. 04			
<u>Bypass UL 54</u>	95	Mar. 04			
<u>Bypass UL 56</u>	70	Mar. 04			